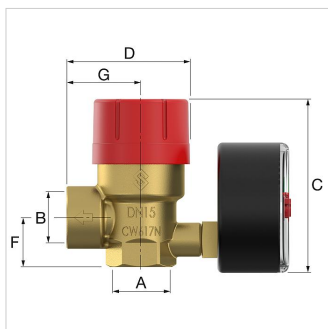


Справочные данные (2020-05-19)

27686 - Prescomano 1/2 x 3/4 - 3bar TRD



Description	Prescomano 1/2 x 3/4 - 3bar TRD	
Article	27686	
Model	Prescomano	
Заданное давление [бар]	3,0	
Соединение	A	Rp 1/2"
	B	Rp 3/4"
Размеры	C [мм]	74,7
	D [мм]	54
	F [мм]	26,5
	G [мм]	34,5
Тепловая мощность [кВт]	50	



Packaging info

Unity of use	1 Piece
Packaging form	коробка
Packaging dimensions (H. x W. x L.)	85 x 49 x 103 mm
Weight	0.255 Kilogram



Classification General Data

Etim Group	Measuring and control devices
Etim Class	Safety valve
Product Name	Prescomano 1/2 x 3/4 - 3bar TRD
Brand	Flamco
Product Series	Prescomano
Product Type	Prescomano 1/2 x 3/4

Attributes

Max. operating pressure at 20 °C [bar]	10
Max. medium temperature (continuous) [°C]	120
Min. medium temperature (continuous) [°C]	-10
Bellows seal	Yes
Overflow pressure [bar]	2.85 - 3.15
Suitable for continuous operation	Yes
Length of connection 1 [mm]	26.5
Length of connection 2 [mm]	34.5
Height [mm]	74
Angle of the device [°]	90



Flamco
