



SPARE PARTS EXPLODED VIEW
STORAGE ELECTRIC WATER HEATERS

Model

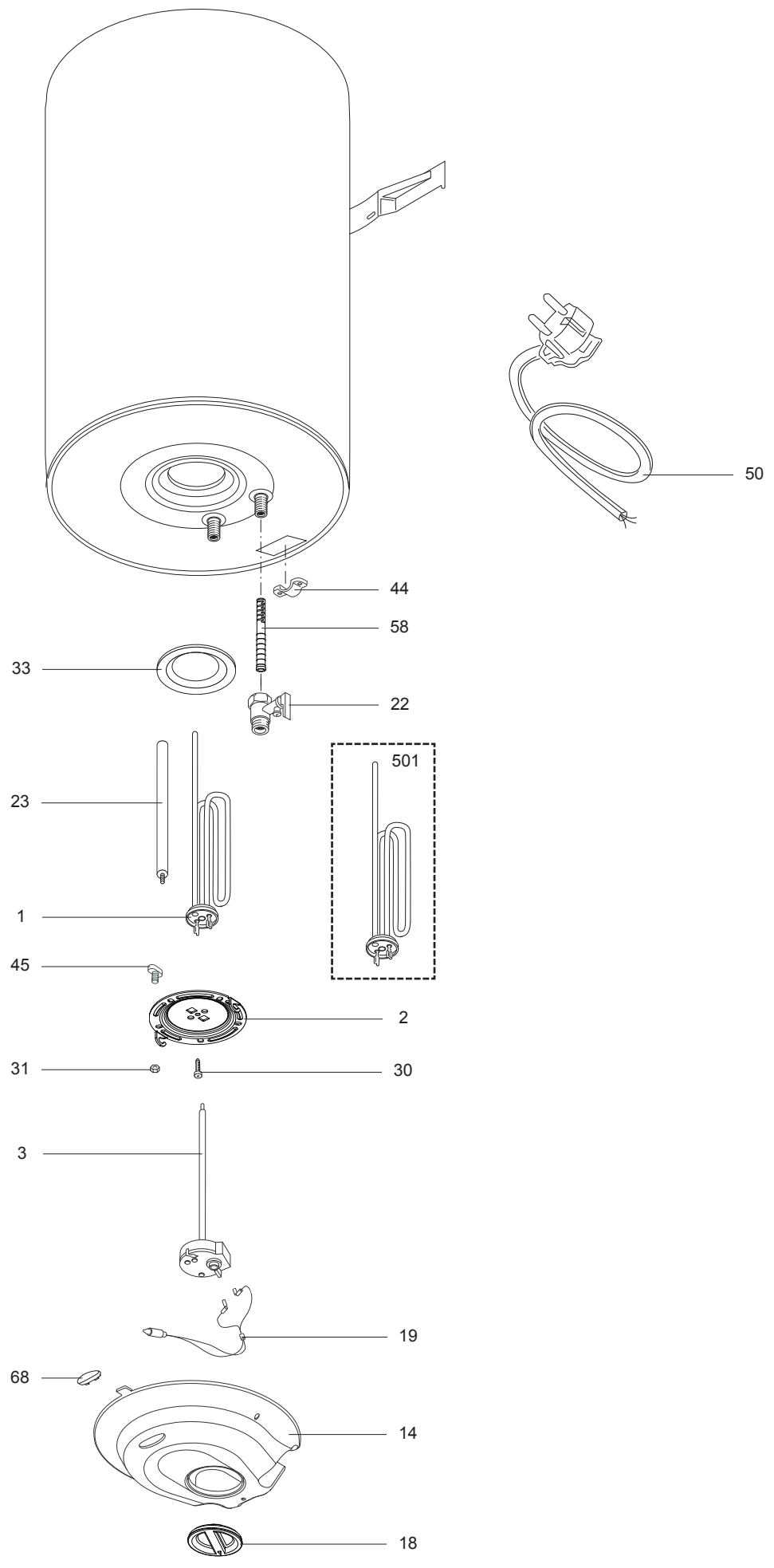
NTS SLIM

R8216927-02 - 09/04/2014

NTS SLIM

Storage Electric Water Heaters

1	3704039	NTS 30V 1,5K (FA) Slim	03-2013	-
1	3704040	NTS 30V 1,5K (RE) Slim	03-2013	-
1	3704042	NTS 30V 1,5K (SU) Slim	03-2013	-
Col	Reference	Model type	Begin	End



☉⇒	Description	Manf. Pt. N	Type																			31										
				1	2	3	4	5	6	7	8	9	10	11	12	13	14	15	16	17	18	From	to									
0001	НАГРЕВАТЕЛЬНЫЙ ЭЛЕМЕНТ 1500W 220-240V	65111790		●																												
0002	ФЛАНЕЦ НА 5 БОЛТАХ	65111789-RU		●																												
0003	ТЕРМОСТАТ	65104527-RU		●																												
0014	КРЫШКА ПЛАСТИКОВАЯ	65180092		●																												
0018	РУЧКА РЕГУЛИРОВАНИЯ	65180095		●																												
0019	ИНДИКАТОРНАЯ ЛАМПА	993025-RU		●																												
0022	ПРЕДОХРАНИТЕЛЬНЫЙ КЛАПАН (1/2" 8,5 БАР)	571730-RU		●																												
0023	МАГНИЕВЫЙ АНОД D:21,3 L:180 M5	65180015-RU		●																												
0030	ВИНТ М6Х12	993000		●																												
0031	ГАЙКА М6	994140		●																												
0033	ПРОКЛАДКА ФЛАНЦА	65111788-RU		●																												
0044	ЗАЖИМ ДЛЯ КАБЕЛЯ	573266		●																												
0045	ВИНТ М6Х20	65151225		●																												
0050	КАБЕЛЬ ПИТАНИЯ	993199		●																												
0058	РАССЕКATEЛЬ ВОДЫ (1/2" H=82)	65113700		●																												
0068	КРЫШКА ИНДИКАТОРНОЙ ЛАМПЫ	571767		●																												
0500	АКСЕССУАРЫ																															
0501	НАГРЕВАТЕЛЬНЫЙ ЭЛЕМЕНТ 1500W 220-240V	65114097		●																												

LIST OF THE ABBREVIATIONS

HW	: Hot water.
CW	: Cold water.
C	: Ceramic resistance (normal heating).
Ca	: Ceramic resistance (accelerated heating)
TP	: Immersion heater.
1F	: With fittings.
2F	: Without fittings.
3F	: With fittings and another outlet connection.
AMI	: With mixing valve.
SMI	: Without mixing valve.
PUISS	: Power of th appliance.
PN	: Appliance with normal pression.
LP	: Appliance with low pression.
PV	: Appliance with variable power.
PF	: Appliance with fixed power.

IDENTIFICATION PLATE

SERIAL NUMBER

6 Characters :
 Year of manufacture ———— 03 09 08 ———— Manufacturing day
 Month of manufacture

9 Characters :
 Year of manufacture ———— M 12 10 0606 ———— Sequential number
 Month of manufacture

14 Characters :
 SI-V-0B0 45 07 0001
 Sequential number
 Year of manufacture : ———— 6 → 2004
 Month of manufacture : → 25 → January 43 → July 7 → 2005
 13 → February 29 → August 8 → 2006
 32 → March 40 → September etc ...
 35 → April 38 → October
 39 → May 51 → November
 45 → June 12 → December

15 Characters :
 Year of manufacture ———— 02 11 00001 007843 ———— Code appareil
 Month of manufacture Sequential number

21 Characters :
 Product reference ———— 3200050 XX 08115 0000001 ———— Sequential number
 Year (08) / Manufacturing day (115)

22 Characters :
 Product reference ———— 3200050 XX 070115 0000001 ———— Sequential number
 Year (07) / Month (01) / Manufacturing day (15)