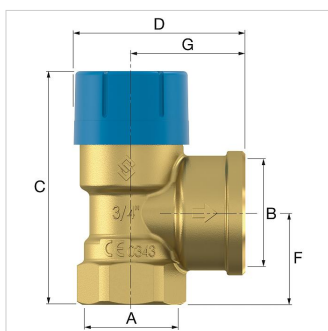


**Справочные данные (2020-05-19)**
**27102 - Prescor B valve 1/2 x 1/2-10bar**


Description	Prescor B valve 1/2 x 1/2-10bar	
Article	27102	
Model	Prescor B	
Заданное давление [бар]	10,0	
Соединение	A	Rp 1/2"
	B	Rp 1/2"
Размеры	C [мм]	68,7
	D [мм]	47,2
	F [мм]	21,5
	G [мм]	28,5
Мощность [кВт]	75	


**Packaging info**

Unity of use	1 Piece
Packaging form	коробка
Packaging dimensions (H. x W. x L.)	79 x 47 x 59 mm
Weight	0.133 Kilogram


**Classification General Data**

Etim Group	Measuring and control devices
Etim Class	Safety valve
Product Name	Prescor B valve 1/2 x 1/2-10bar
Brand	Flamco
Product Series	Prescor B
Product Type	1/2 x 1/2

**Attributes**

Max. operating pressure at 20 °C [bar]	10
Max. medium temperature (continuous) [°C]	95
Min. medium temperature (continuous) [°C]	0
Bellows seal	Yes
Overflow pressure [bar]	10 - 10
Suitable for continuous operation	Yes
Length of connection 1 [mm]	21.5
Length of connection 2 [mm]	28.5
Height [mm]	69
Angle of the device [°]	90



**Flamco**

---