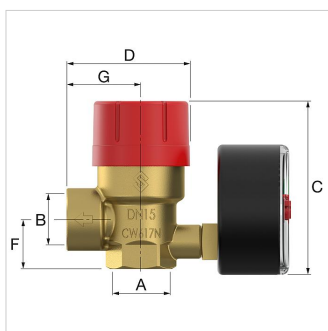


Справочные данные (2020-05-19)

27683 - Prescomano 1/2 x 1/2 - 3bar



Description	Prescomano 1/2 x 1/2 - 3bar	
Article	27683	
Model	Prescomano	
Заданное давление [бар]	3,0	
Соединение	A	Rp 1/2"
	B	Rp 1/2"
Размеры	C [мм]	68,7
	D [мм]	48
	F [мм]	21,5
	G [мм]	28,5
Тепловая мощность [кВт]	125	



Packaging info

Unity of use	1 Piece
Packaging form	коробка
Packaging dimensions (H. x W. x L.)	79 x 57 x 103 mm
Weight	0.215 Kilogram



Classification General Data

Etim Group	Measuring and control devices
Etim Class	Safety valve
Product Name	Prescomano 1/2 x 1/2 - 3bar
Brand	Flamco
Product Series	Prescomano
Product Type	Prescomano 1/2 x 1/2

Attributes

Max. operating pressure at 20 °C [bar]	10
Max. medium temperature (continuous) [°C]	120
Min. medium temperature (continuous) [°C]	-10
Bellows seal	Yes
Overflow pressure [bar]	2.85 - 3.15
Suitable for continuous operation	Yes
Length of connection 1 [mm]	21.5
Length of connection 2 [mm]	28.5
Height [mm]	65
Angle of the device [°]	90



Flamco
