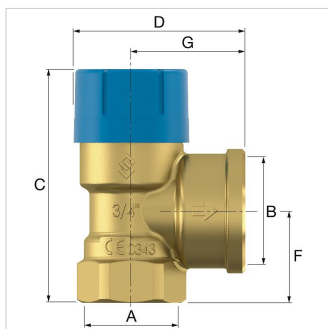


Справочные данные (2020-05-19)
27112 - Prescor B valve 3/4 x 1-10b TRD


Description	Prescor B valve 3/4 x 1-10b TRD	
Article	27112	
Model	Prescor B	
Заданное давление [бар]	10,0	
Соединение	A	Rp 3/4"
	B	Rp 1"
Размеры	C [мм]	76,8
	D [мм]	55,2
	F [мм]	29,5
	G [мм]	36,5
Мощность [кВт]	150	


Packaging info

Unity of use	1 Piece
Packaging form	коробка
Packaging dimensions (H. x W. x L.)	85 x 425 x 65 mm
Weight	0.217 Kilogram


Classification General Data

Etim Group	Measuring and control devices
Etim Class	Safety valve
Product Name	Prescor B valve 3/4 x 1-10b TRD
Brand	Flamco
Product Series	Prescor B
Product Type	3/4 x 1

Attributes

Max. operating pressure at 20 °C [bar]	10
Max. medium temperature (continuous) [°C]	95
Min. medium temperature (continuous) [°C]	0
Bellows seal	Yes
Overflow pressure [bar]	10 - 10
Suitable for continuous operation	Yes
Length of connection 1 [mm]	29.5
Length of connection 2 [mm]	36.5
Height [mm]	69
Angle of the device [°]	90



Flamco
