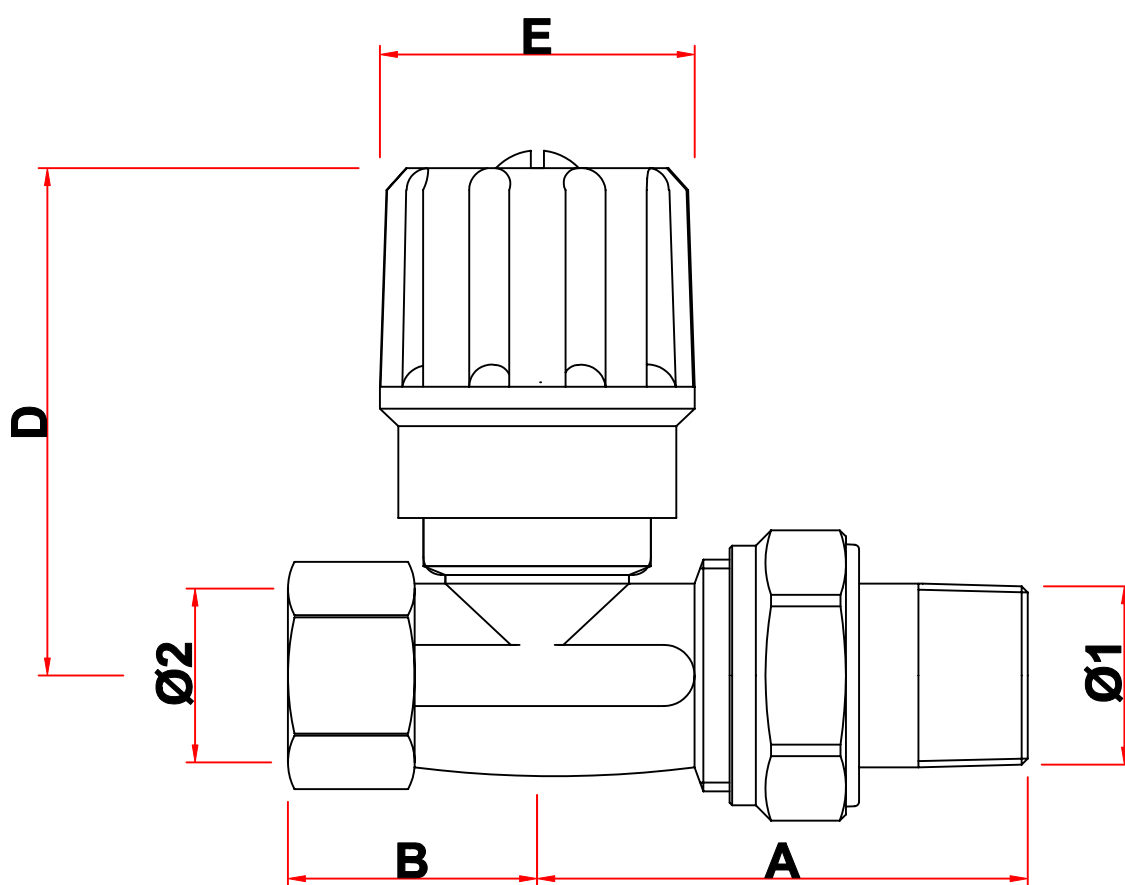


# Art. 1350



Articolo	A	B	D	E	Ø1	Ø2
1350 38	51	25	56	36	3/8"	3/8"
1350 12	57	28	57	36	1/2"	1/2"
1350 34	63	32	64	42	3/4"	3/4"
1350 1	68	40	74	42	1"	1"

Quote espresse in mm.